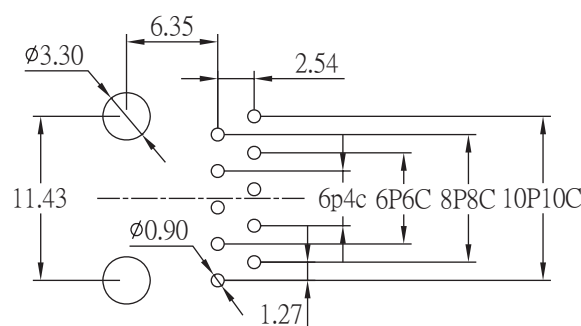
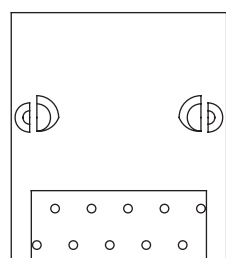
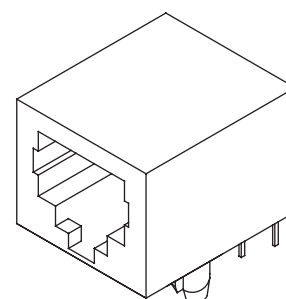
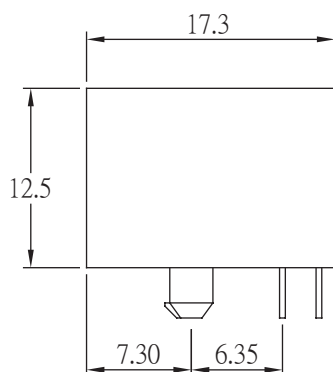
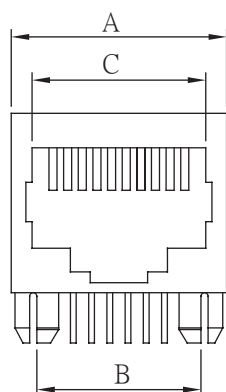


MODULAR JACK SIDE ENTRY H=12.5 W=17.3

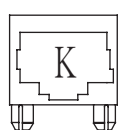
MATERIAL & FINISH

HOUSING: Glass Fiber, PBT. UL94V-0, BLACK

CONTACT: 0.35 mm thickness phosphor bronze,
Gold plated over Nickel on contact area,
Tin plated over Nickel on solder area.



Recommended PCB Layout
(PCB TOLERANCE ±0.05)



With keyway
(8P or 10P only)

POSITION	CONTACT	A	B	C
4P	4C	15.00	11.43	7.80
6P	2C/4C/6C	15.00	11.43	9.90
8P	8C	15.00	11.43	11.90
10P	10C	15.00	11.43	11.90

ORDER INFORMATION

